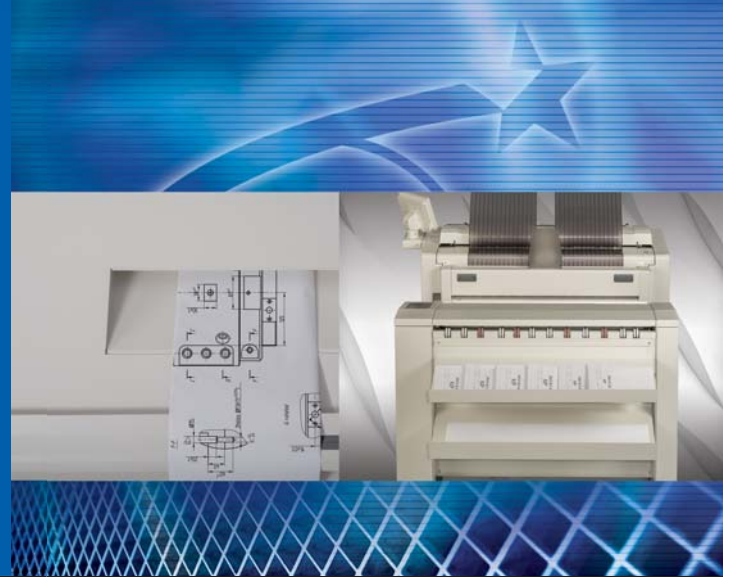




## KIP Online Fan-Fold Folding System



## KIPFold 1000

**The KIPFold 1000 is a compact but powerful online folder designed to easily, conveniently and quickly fan fold documents. Folded documents packets are crisp and professional, ready for distribution. This online paper folder is environmentally friendly, making it ideal for decentralized production environments.**

Documents up to 36" / 914 mm wide by any length are easily handled for fast fan folding. In addition, fan-folded documents may be manually fed through the KIPFold 1000 to create finished fold packets in accordance with DIN, ANSI or ARCH\* standard sizes. Folded documents packets are crisp and professional, ready for distribution.

KIP software and application drivers provide a variety of advanced finishing options. Network and web based applications give users power over all fold parameters as well as the ability to select individual folding parameters at the workstation and store them as presets for future use. In addition, KIP Windows and AutoCAD Drivers feature full integration with all KIPFold system feature.



## Online Fan-Folding System

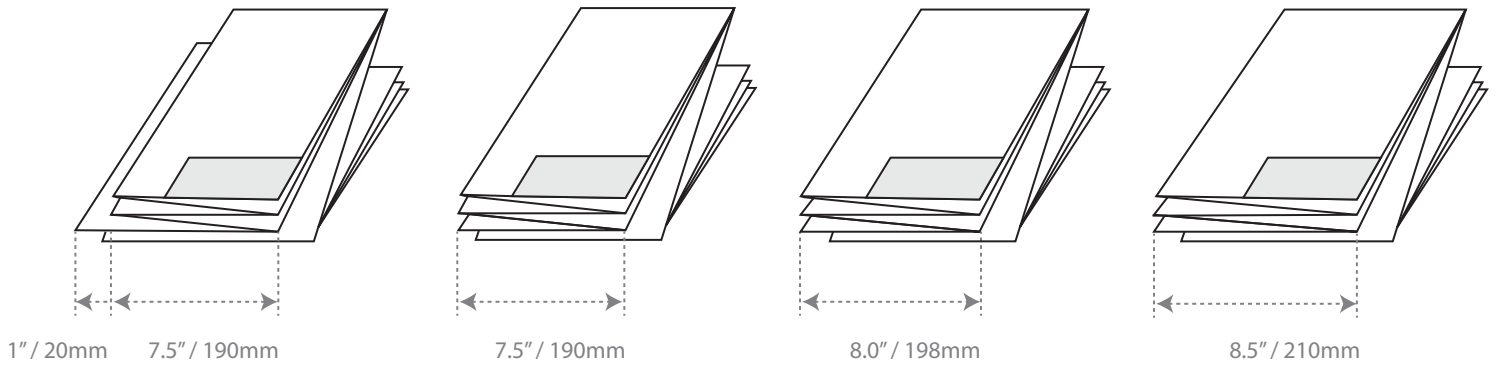


General	
Compatible KIP Systems	KIP 7170/7570/850/860/870/880/890 (Front stacking print tray required)
Technology	Fold roller
Paper Feed	Automatic/Manual
Fold Speed	8 ft./minute - 59 ft./minute / 42 mm/second - 300 mm/second
Media Width	12" - 36" / 297 mm - 914 mm
Media Length	8.3" - 164' / 210 mm - 50 m
Media Weight	16 - 28 lb. bond / 60 - 110 gr/m <sup>2</sup>
Media Type	Bond - Plain
Fold Types	DIN, ANSI or ARCH sizes
Fold Sizes	4" - 16" / 100 mm - 420 mm (adjustable)
Fan Fold Stacking	Up to 20 fan folded documents
Margins (filing edge)	0" - 2" adjustable in 0.25" increments / 0 mm - 50 mm



Note: The maximum toner coverage for folded documents should be less than 25%. Above this coverage, packet tolerances may not be maintained and additional mis-feeds may occur

### KIPFold 1000 Eight Formats at the Press of a Button



The eight folding programs can be individually programmed within the following ranges:

The values entered are saved after the KIPFolder has been switched off and can be recalled at any time.

- **Package width:** 7.5", 8.0", 8.5", 9.5", 10", 11", 12" / 180 mm - 420 mm
- **Filing edge:** 1" / 0 mm - 30 mm
- **Manual cross fold:** 11", 12" / 200 mm - 420 mm (adjustable)



THE COLOR OF  
KIP IS GREEN



[www.kip.com](http://www.kip.com) ■ (800) 252-6793 ■ [info@kip.com](mailto:info@kip.com)

For additional product specifications, please contact your Authorized KIP Dealer.