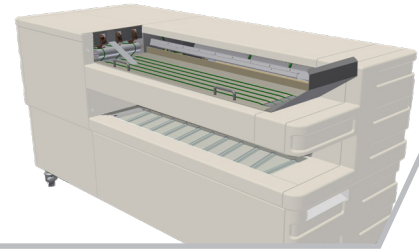




KIP Fold 1800



SPECIFICATIONS

Features

Compact, Single Pass, Fold Roller Technology with Printer Decoupling Design (Bridgeless)
Fully Integrated, One-Step Fold Packet Selection from KIP System Touch Panel (Copy/Print), KIP ImagePro, KIP PrintPro.NET, KIP Windows & AutoCAD HDI Drivers
Fold Packet Standards "Pre-Set" in the KIP Print Management Suite
Variety of Fold Packets using Portrait Feeding to create Portrait Packets
Manual Feed: Optional
Bi-directional Notification - through the System Touch Panel as well as KIP Software

KIPFold

Compatible Black & White Print Systems	KIP 71 Series, KIP 75 Series, KIP 79 Series
Compatible Color Print Systems	KIP 770, 780, 790, 775, 785, 795
Fold Technology	Fold Roller (packet tolerances: +/- 2mm W, +/- 3mm H, +/- 1mm panel deviation)
Media Width	11" - 36" / 297 mm - 920 mm using North American & International Standard Page Sizes
Media Weight	16 - 28 lbs / 60 -110 gms (recommended 20-24 lbs / 75-80 gsm)
Fold Speed	Dependent on Printer Speed & Packet Style, noting Portrait Feed : Portrait Packet only with >300 mm inter-print gap requirement
Fold Styles	Various DIN, ARCH, ANSI, JPN_P, CHN_P: refer to packet supplement for regional details
Folded Packet Stacking	Up to 80 A0/E or equivalent with mixed sizes
Unfolded Stacking	Up to 50 documents - placed onto the printer's Top-Front tray (if equipped)
Packet Size: Fan Fold	6.7- 9" adjustable in 1/4" increments / 170 mm - 230 mm adjustable in 1 mm increments
Packet Size: Cross Fold	10 - 12" adjustable in / 250 mm - 310 mm adjustable in 1 mm increments
Document Length - Cross Fold	138" / 3.5m (17 Panels maximum with 20# / 80 gsm paper)
Document Length - Fan Fold	236" / 6m (22 Panels maximum with 20# / 80 gsm paper)
Margins	0" – 1 1/2" adjustable in 0.1" increments / 0 mm - 40 mm adjustable in 1mm increments
Title Block	Top-Right location (noted from front of printer)
Fan Fold Exit	On Left Side (from front of printer) without a tray

Environmental

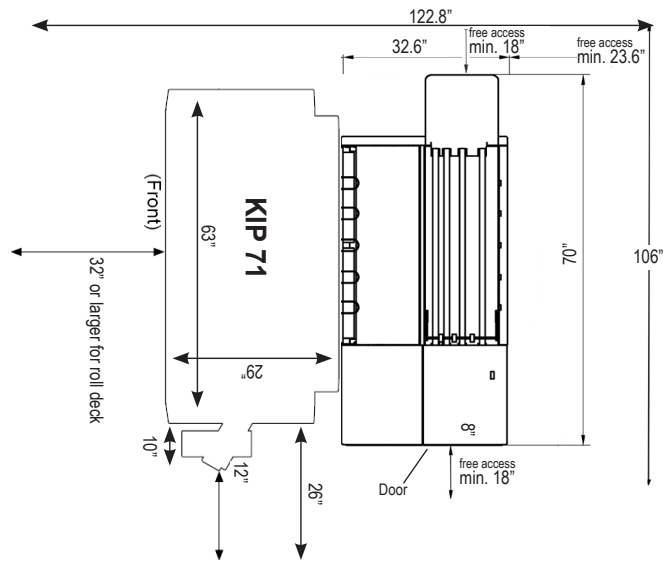
Power Requirements	100-120 Vac / 200-240Vac 50/60Hz 2.2A @115Vac / 1.1A @230Vac
Electrical Receptacle	Based on local standards, shipped with a power cable for either North America or Europe
Power Consumption	During Operation: < 250W Standby: < 5W
Acoustic Noise	61 dB
Weight	610 lbs / 280 kg uncrated or 640 lbs / 290 kg crated
Folder Dimensions	70" x 34" x 37" / 1778 mm x 852 mm x 931 mm
Crate Dimensions	73" x 43" x 47" / 1854 mm x 1092 mm x 1194 mm

Options

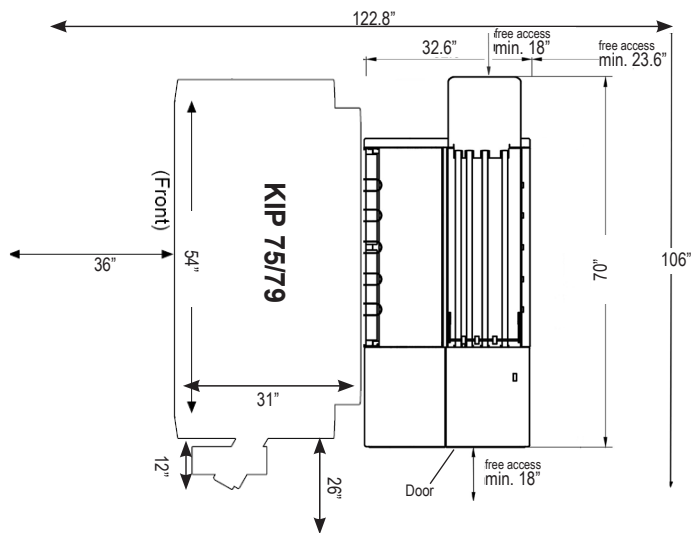
Field Upgradable	Manual Feed
------------------	-------------

WWW.KIP.COM | 800.252.6793

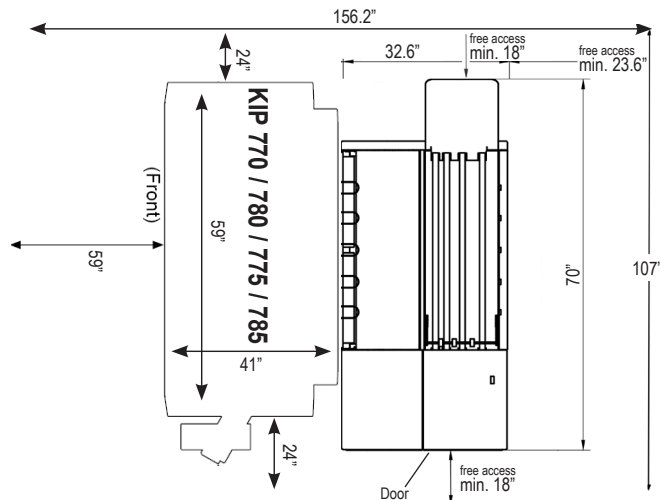
KIP 71 Series with KIPFold 1800 Spatial Requirements



KIP 75/79 Series with KIPFold 1800 Spatial Requirements



KIP 770 / KIP 780 / KIP 775 / KIP 785 with KIPFold 1800 Spatial Requirements



WWW.KIP.COM | 800.252.6793

