



KIP

KIPFold 2800

Specifications



Features

- One-Step Fold Packet Selection from KIP PrintPro, KIP PrintPro.NET, KIP Windows & AutoCAD HDI Drivers
- All Folding Packet Standards Come "Pre-Set" in the KIP Print Management Suite
- Folding at Rated Full Engine Speed
- Wide Range of Folding Parameters - European, US & International Standards
- Adjustable Media Bridge/Flat Stacker - Stacking on Bridge Reduces Operational Costs
- Manual Feed/Offline Folding (Adjustable Feed Rail for Precision Offline Folding)
- Stacker Full Notification - Bi-directional Notification to the User through KIP Touchscreen & Software

KIPFold

Compatible Black & White Print Systems	7170K, 7570K, 7580K, 7590K, 7970K, 7980K, 7990K
Compatible Color Print Systems	850, 860, 870, 880, 890, 970, 980, 990 (Printer productivity may be reduced based on the page size and fold packet requirements)
Fold Technology - (Rollers-Blade)	Media transportation via roller with precise blade action folding for creating tight folded packets
Media Width	11" - 36" / 297 mm - 920 mm US - International Standard Sizes
Media Weight	16 - 28 lb. / 60 -110 gms (Max Accuracy 20-24 lb.)
Fold Speed	Variable 4.8 - 29 m/min - Dependent on Printer Speed
Fold Styles	DIN, AFNOR, ISO, ARCH, ANSI, JAPAN STD + Customizable Sizes
Folded Packet Stacking	215 'D' Size / 215 'A1' Size or 650 Linear Feet / 200 Linear Meters
Unfolded Stacking(Flat Sheet)	Up to 100 standard size pages (on bridge)
Packet Size: Fan Fold	6.3"-12" adjustable in 0.01" increments / 160 mm - 300 mm adjustable in 1 mm increments
Packet Size: Cross Fold	8 -12" adjustable in 0.01" increments / 200 mm - 310 mm adjustable in 1 mm increments
Document Length - Cross Fold	98.42" / 2,500 mm (15 Panels)
Document Length - Fan Fold	19' 6" / 6,000 mm (30 panels - 80 gsm)
Margins	0" - 4" adjustable in 0.01" increments / 0 mm - 99 mm adjustable in 1mm increments
Title Block	Available with DIN or Inverse Packet Styles
Fan Fold Tray Stacking Capacity	1 to 20 - Dependent on number of fan fold panels
Web Interface	Web Browser Enabled Diagnostics

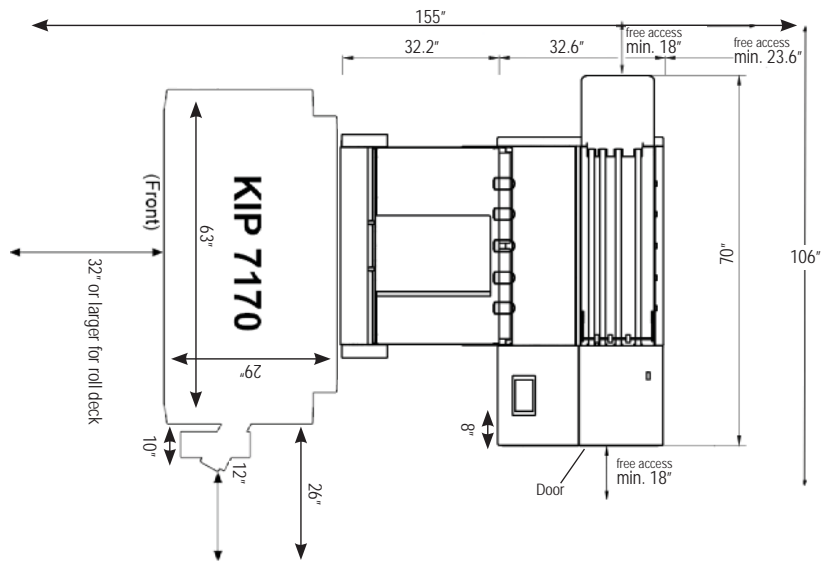
Environmental

Power Requirements	100 - 240Vac 50/60Hz / 10A @ 115v / 6A @ 230v
Electrical Receptacle	Based on local standards - supplied with KIPFold 2800
Power Consumption	Standby: 30W Max: 300W at 230 Volts
Acoustic Noise	61 dB
Weight without Tab	628 lbs. uncrated / 772 lbs. crated
Weight with Tab	723 lbs. uncrated / 866 lbs. crated
Folder Dimensions	64"x 48"x 70" / 1634 mm x 1227 mm x 1178 mm - Including Bridge / No Options
Crate Dimensions	43"x 53"x 75" / 1100 mm x 1350 mm x 1900 mm - Bridge Detached
Safety Approvals	TÜV

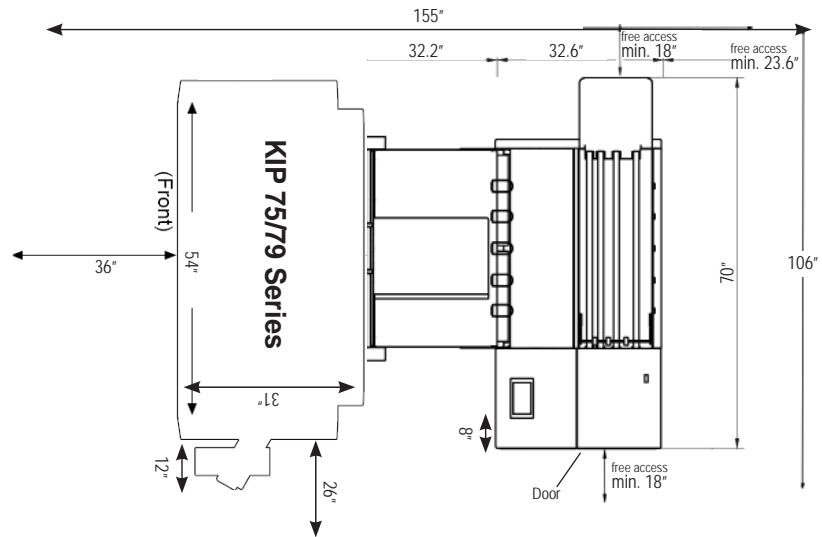
Options

Field Upgradable Options	Unlimited Length Fanfold (Based on print system capability)
--------------------------	---

KIP 7170K with KIPFold 2800 Spatial Requirements



KIP 75/79 Series with KIPFold 2800 Spatial Requirements



KIP 850 / KIP 860 / KIP 870 / KIP 880 / KIP 890 with KIPFold 2800 Spatial Requirements

